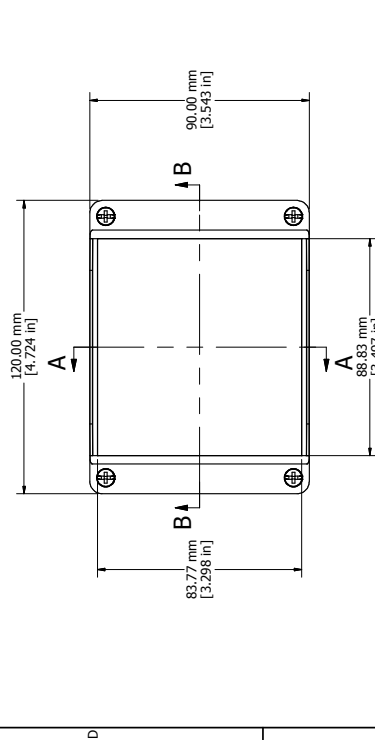
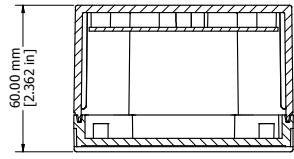


1 2 3 4 5 6 7 8

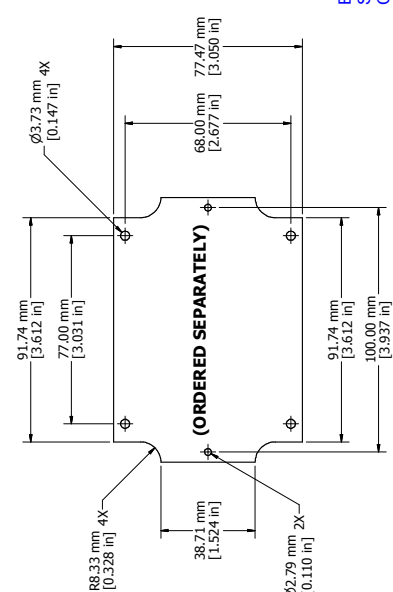


SECTION A-A

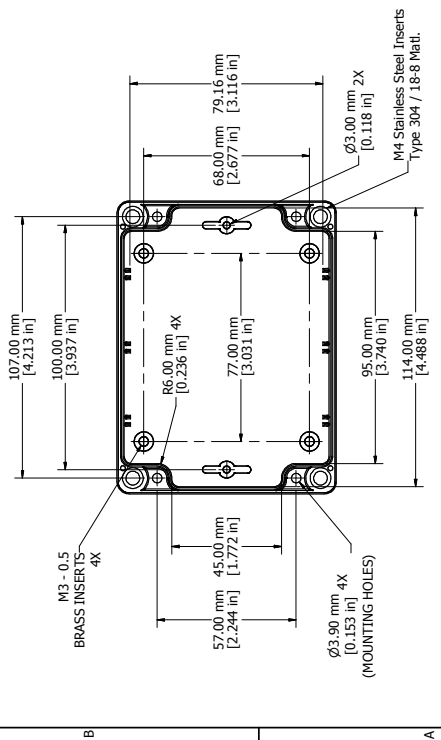


SECTION B-B

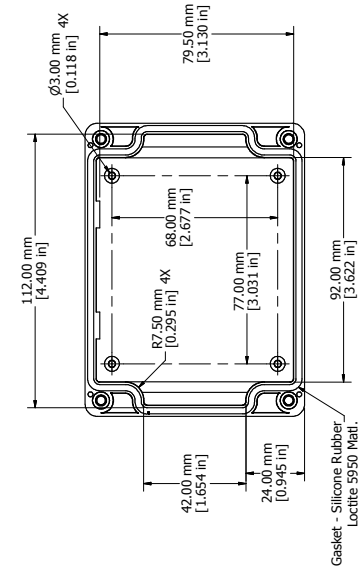
**UL** US LISTED  
File # E65324  
NEMA 4, 4X



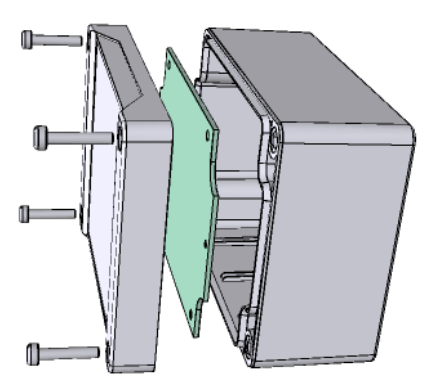
STEEL INNER PANEL



BOX - INSIDE



LID - INSIDE



Enclosures can be Factory Modified ( Milling, Drilling, Printing etc. )  
Solid models of this enclosure available in STEP or IGES.  
Contact Factory [mjm@hammondmg.com](mailto:mjm@hammondmg.com)

**NOTE**  
Purchased assembly includes box, lid, and 4 cover screws  
Cover screws should be torqued to 2.5 lbf-in (30 cN-m)  
Polycarbonate version is UL 508 approved

1555F - Regular Enclosure	
General Purpose ABS RAL-7035 UL94 - HB	1555FGY
Polycarbonate RAL-7035 UL94 - V0 / 5VA @ 3mm	1555FZGY
ACCESSORIES	
Heavy Duty 16 Gauge Galvanized Steel Panels	1554FPL
Steel Panel / P.C. Board Machine Screw (M3 x 8mm Nickel Plated)	1591MM100
Steel Panel / P.C. Board Self Tapping Screw (#6 X 1/4" (6.4mm) Nickel Plated)	1598ATS100
Cover Screws (Pkg 4)	SC1554
[M4 X 20mm Type 304 Stainless Steel]	

